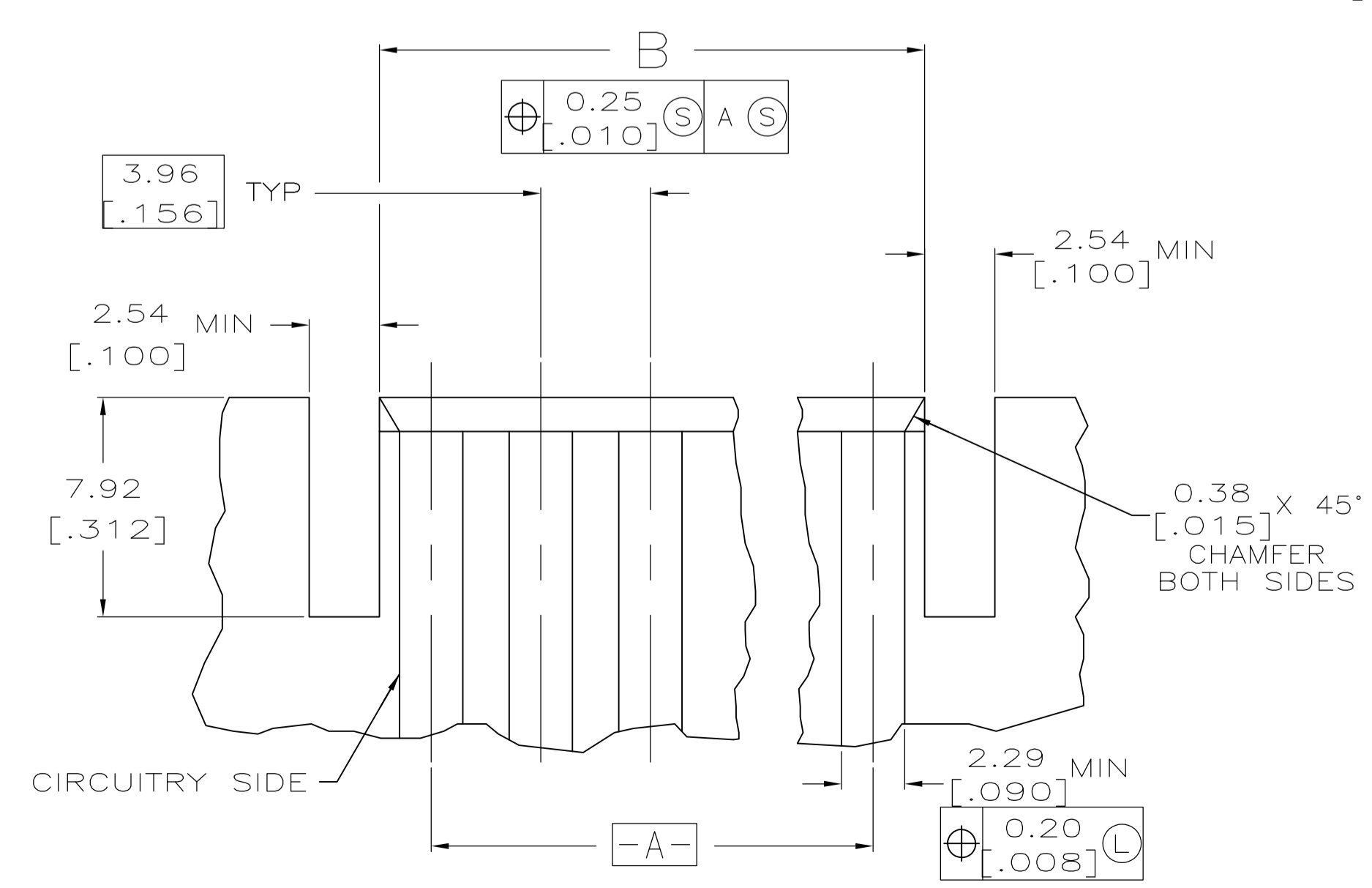
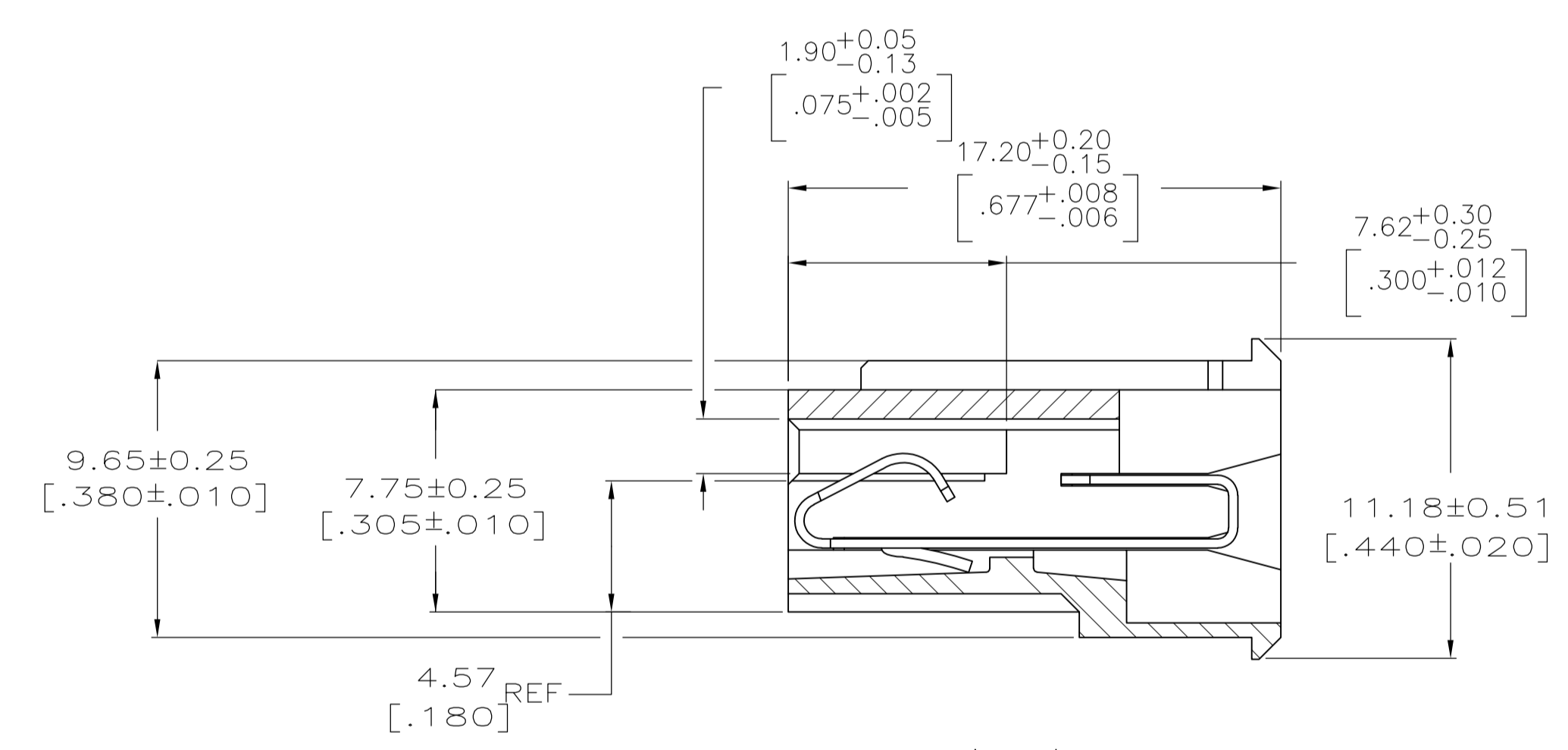
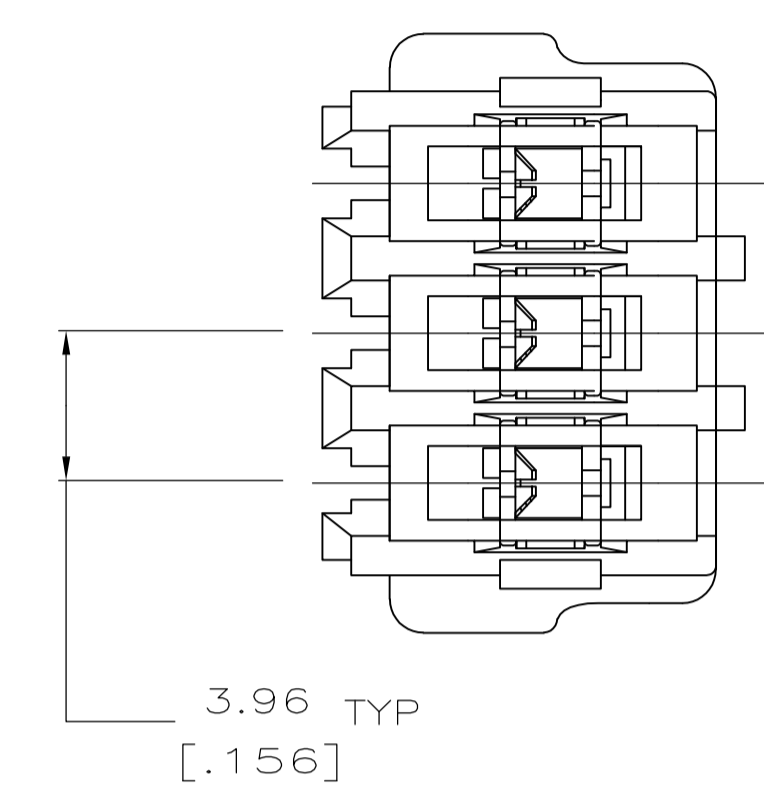
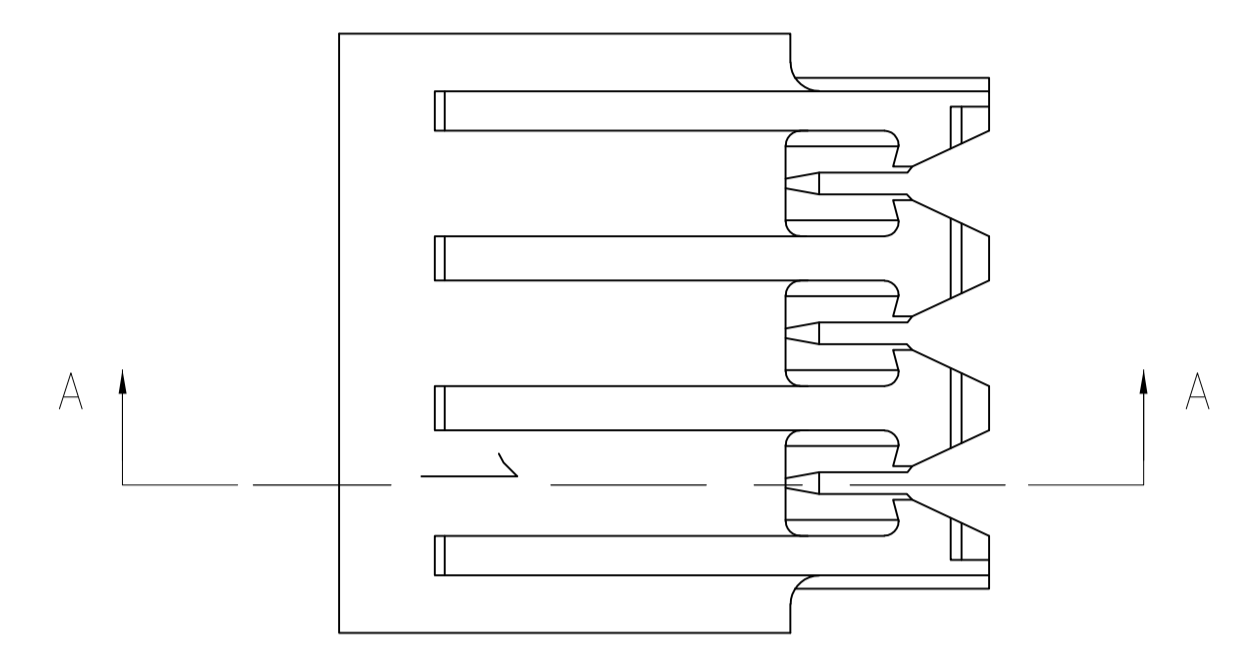
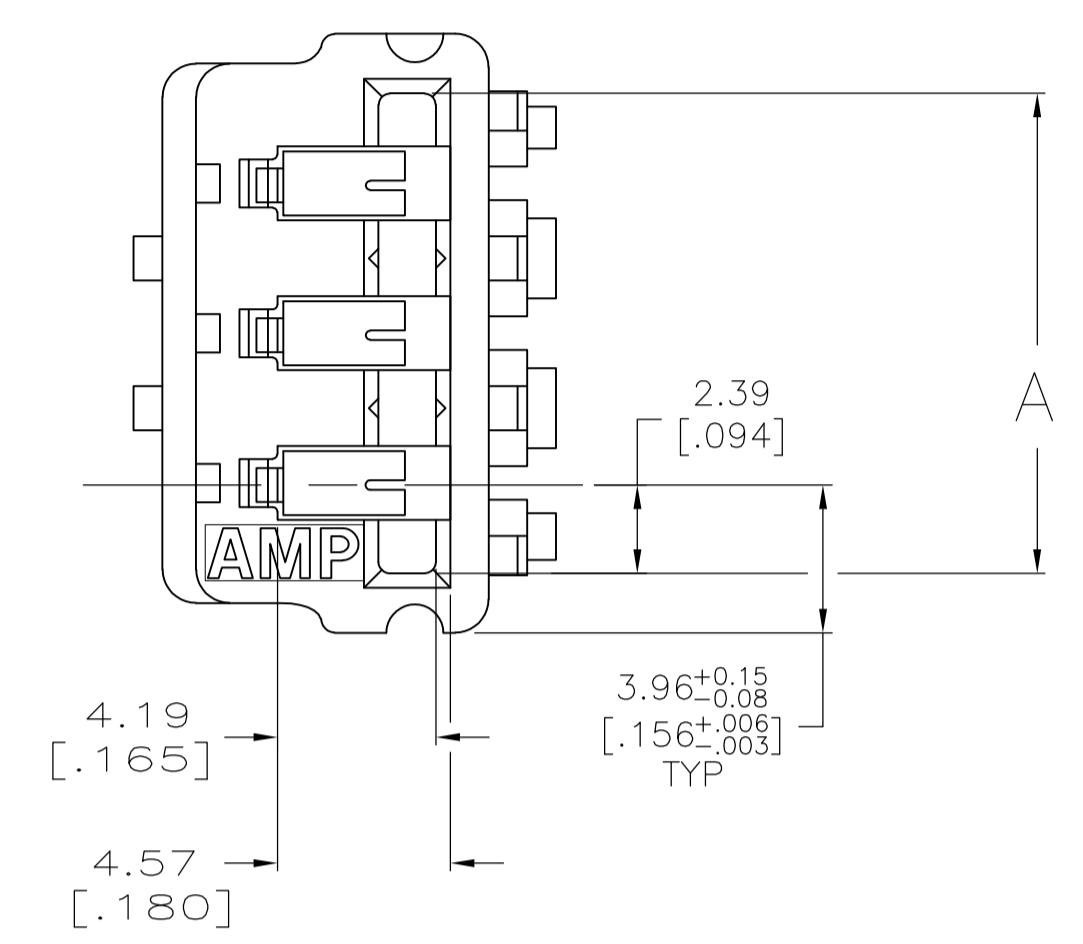
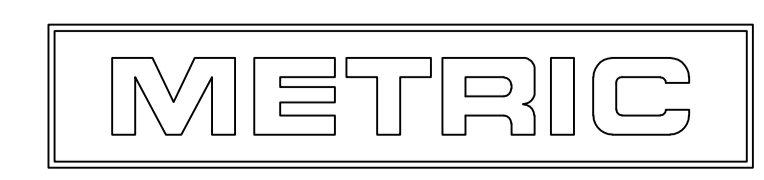


| LOC | | DIST | | REVISIONS | | | |
|-----|-----|---------------|---------|-----------|------|--|--|
| P | LTR | DESCRIPTION | DATE | DMN | APVD | | |
| H | | ECO-07-012898 | 27JUN07 | KW | DB | | |

- MATERIAL:
CONNECTOR: POLYESTER UL94V-0 (BLUE).
CONTACTS: 0.30 [.012] THK COPPER ALLOY.
 - CONTACT ACCEPT #26 AWG WIRE WITH 2.41 [.095] MAXIMUM INSULATION DIAMETER.
 - CONNECTOR MATES WITH 1.57±0.20 [.062±.008] THICK PC BOARD.
 - HOUSING FEATURES: FEED-THRU, STANDARD MOUTH WITHOUT MOUNTING EARS.
- △ CONTACT FINISH: BRIGHT TIN-LEAD 0.00203 [.000080] MIN THK.
 △ CONTACT FINISH: MATTE WHISKER MITIGATED TIN 0.00203 [.000080] MIN THICKNESS OVER NICKEL UNDERPLATE.



| | | | | | |
|----------------|---------------|---------------|------------|-----------------|-------------|
| △ | 95.50 [3.760] | 95.91 [3.776] | 24 | 5-641287-4 | |
| | 91.54 [3.604] | 91.95 [3.620] | 23 | 5-641287-3 | |
| | 87.58 [3.448] | 87.99 [3.464] | 22 | 5-641287-2 | |
| | 83.62 [3.292] | 84.02 [3.308] | 21 | 5-641287-1 | |
| | 79.65 [3.136] | 80.06 [3.152] | 20 | 5-641287-0 | |
| | 71.73 [2.824] | 72.14 [2.840] | 18 | 4-641287-8 | |
| | 59.84 [2.356] | 60.25 [2.372] | 15 | 4-641287-5 | |
| | 47.96 [1.888] | 48.36 [1.904] | 12 | 4-641287-2 | |
| | 36.07 [1.420] | 36.47 [1.436] | 9 | 3-641287-9 | |
| | 24.18 [.952] | 24.59 [.968] | 6 | 3-641287-6 | |
| 12.29 [.484] | 12.70 [.500] | 3 | 3-641287-3 | | |
| △ | 95.50 [3.760] | 95.91 [3.776] | 24 | 2-641287-4 | |
| | 91.54 [3.604] | 91.95 [3.620] | 23 | 2-641287-3 | |
| | 87.58 [3.448] | 87.99 [3.464] | 22 | 2-641287-2 | |
| | 83.62 [3.292] | 84.02 [3.308] | 21 | 2-641287-1 | |
| | 79.65 [3.136] | 80.06 [3.152] | 20 | 2-641287-0 | |
| | 71.73 [2.824] | 72.14 [2.840] | 18 | 1-641287-8 | |
| | 59.84 [2.356] | 60.25 [2.372] | 15 | 1-641287-5 | |
| | 47.96 [1.888] | 48.36 [1.904] | 12 | 1-641287-2 | |
| | 36.07 [1.420] | 36.47 [1.436] | 9 | 641287-9 | |
| | 24.18 [.952] | 24.59 [.968] | 6 | 641287-6 | |
| 12.29 [.484] | 12.70 [.500] | 3 | 641287-3 | | |
| CONTACT FINISH | B | | A | NO. OF CIRCUITS | PART NUMBER |



THIS DRAWING IS A CONTROLLED DOCUMENT. **DIN B LEWIS** 2-21-96
CHK R SWING 2-21-96
APVD -

TOLERANCES UNLESS OTHERWISE SPECIFIED:
 0 PLC ± -
 1 PLC ± -
 2 PLC ± 0.13 [.005]
 3 PLC ± -
 4 PLC ± -
 ANGLES ± -

PRODUCT SPEC -
 APPLICATION SPEC -

NAME: Tyco Electronics Corporation, Harrisburg, Pa 17105-3608
 PRODUCT NAME: MTA-156
 CARD EDGE CONNECTOR ASSEMBLY, 26 AWG

SIZE: A1
 CAGE CODE: 00779
 DRAWING NO: 641287
 WEIGHT: -
 CUSTOMER DRAWING

RESTRICTED TO: -
 SCALE: 5:1
 SHEET: 1 of 1
 REV: H